

### SN74LS04N

#### ■ Product Introduction

The SN74LS04N is an integrated circuit internally integrated with six inverters. Each inverter is independent of each other.

#### ■ Product Features

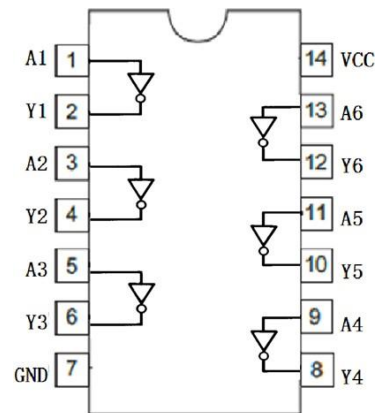
- Integrate six sets of inverters
- Fully compatible with TTL/DTL input and output logic level
- Package : DIP14, SOP14

#### ■ Product Applications

- Digital logic driver
- Industrial control applications
- Other application areas Battery-powered equipment

#### ■ Package and Pin Assignment

| SOP14 or DIP14. |                |        |                |
|-----------------|----------------|--------|----------------|
| Pin NO          | Pin Definition | Pin NO | Pin Definition |
| 1               | Input A1       | 14     | Supply VCC     |
| 2               | Output Y1      | 13     | Input A6       |
| 3               | Input A2       | 12     | Output Y6      |
| 4               | Output Y2      | 11     | Input A5       |
| 5               | Input A3       | 10     | Output Y5      |
| 6               | Output Y3      | 9      | Input A4       |
| 7               | Supply GND     | 8      | Output Y4      |

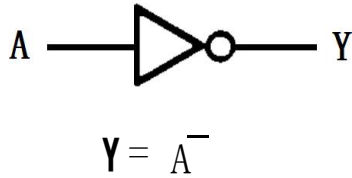


#### ■ Absolute Maximum Ratings

| Item                  | Symbol   | Maximum Ratings | Unit    |
|-----------------------|----------|-----------------|---------|
| Supply voltage        | $V_{CC}$ | 7               | V       |
| Input voltage         | $V_I$    | 7               | V       |
| Power dissipation     | $P_D$    | 500             | mW      |
| Operating temperature | $T_A$    | 0-70            | °C      |
| Storage temperature   | $T_S$    | -65-150         | °C      |
| welding temperature   | $T_W$    | 260             | °C, 10s |

Note: the limit parameter is the limit value that cannot be exceeded under any condition. Once this limit is exceeded, it may cause physical damage such as deterioration of the product. At the same time, the chip can not be guaranteed to work properly when it is close to the limit parameters.

### ■ Block Diagram



### ■ Function Table

| Input | Output |
|-------|--------|
| A     | Y      |
| L     | H      |
| H     | L      |

H = High Logic Level

L = Low Logic Level

### ■ Recommended Operating Conditions

| Item                  | Symbol          | Min  | Tpy | Max  | Unit |
|-----------------------|-----------------|------|-----|------|------|
| Supply voltage        | V <sub>CC</sub> | 4.75 | 5   | 5.25 | V    |
| Input voltage         | V <sub>IH</sub> | 2    | —   | —    | V    |
|                       | V <sub>IL</sub> | —    | —   | 0.6  | V    |
| Output current        | I <sub>OH</sub> | —    | —   | -400 | uA   |
|                       | I <sub>OL</sub> | —    | —   | 8    | mA   |
| Operating temperature | T <sub>A</sub>  | 0    | —   | 60   | °C   |

### ■ Electrical Characteristics

(T<sub>A</sub>=25°C, Unless specified)

| Item                         | Symbol                  | Min | Tpy  | Max  | Unit | Conditions  |   |
|------------------------------|-------------------------|-----|------|------|------|---|---|
| Output voltage               | V <sub>OH</sub>         | 2.7 | 3.6  | —    | V    | I <sub>OH</sub> =-400uA                                     | V <sub>CC</sub> =4.75V, V <sub>IL</sub> =0.6V |
|                              | V <sub>OL</sub>         | —   | 0.15 | 0.4  | V    | I <sub>OL</sub> =4mA  | V <sub>CC</sub> =4.75V, V <sub>IH</sub> =2V   |
|                              |                         | —   | 0.20 | 0.5  |      |   |   |
| Input current                | I <sub>I</sub>          | —   | 0.1  | 20   | uA   | V <sub>CC</sub> =5.25V, V <sub>I</sub> =7V                  |   |
|                              | I <sub>IH</sub>         | —   | 0.1  | 20   | uA   | V <sub>CC</sub> =5.25V, V <sub>I</sub> =2.7V                |   |
|                              | I <sub>IL</sub>         | —   | 0.20 | 0.4  | mA   | V <sub>CC</sub> =5.25V, V <sub>I</sub> =0.4V                |   |
| Short-circuit output current | I <sub>OS</sub> (Note1) | -8  | -36  | -100 | mA   | V <sub>CC</sub> =5.25V                                      |   |
| Supply current               | I <sub>CCH</sub>        | —   | 1.2  | 2.4  | mA   | V <sub>CC</sub> =5.25V, all V <sub>I</sub> =GND             |   |
|                              | I <sub>CCL</sub>        | —   | 4.3  | 6.6  | mA   | V <sub>CC</sub> =5.25V, all V <sub>I</sub> =V <sub>CC</sub> |   |
| Input clamp voltage          | V <sub>IK</sub>         | —   | 0.9  | -1.5 | V    | V <sub>CC</sub> =4.75V, I <sub>I</sub> = -18mA              |   |

Note1: only one output port is short circuited each time, and the short circuit time is not more than one second.

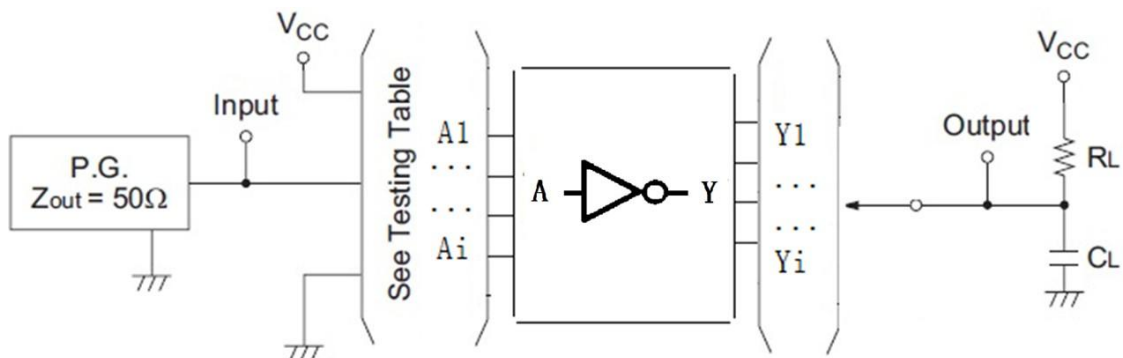
### ■ Switching Characteristics

(T<sub>A</sub>=25°C, Unless specified)

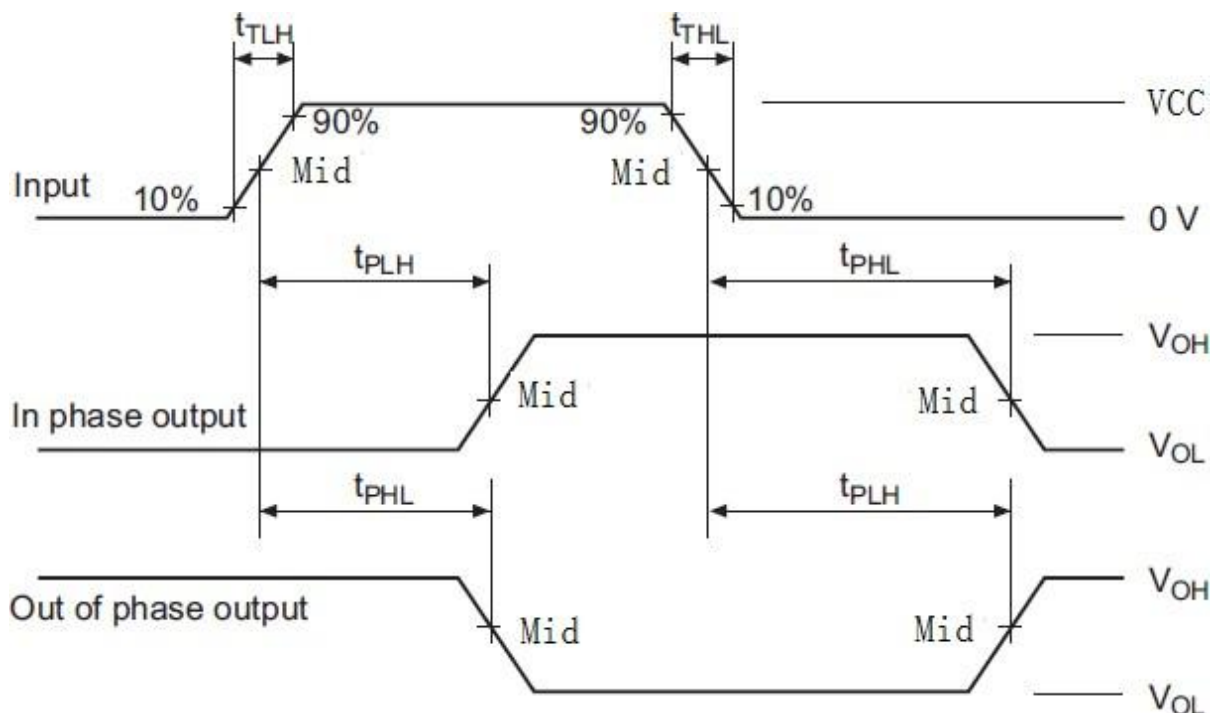
| Item                   | Symbol           | Min | Tpy | Max | Unit | Conditions   |
|------------------------|------------------|-----|-----|-----|------|--|
| Propagation delay time | t <sub>PLH</sub> | —   | 22  | —   | ns   | V <sub>CC</sub> =5V, C <sub>L</sub> =16pF,<br>R <sub>L</sub> =2K Ω |
|                        | t <sub>PHL</sub> | —   | 10  | —   | ns   |  |

## ■ Testing Method

### 1、Test Circuit



### 2、Waveform



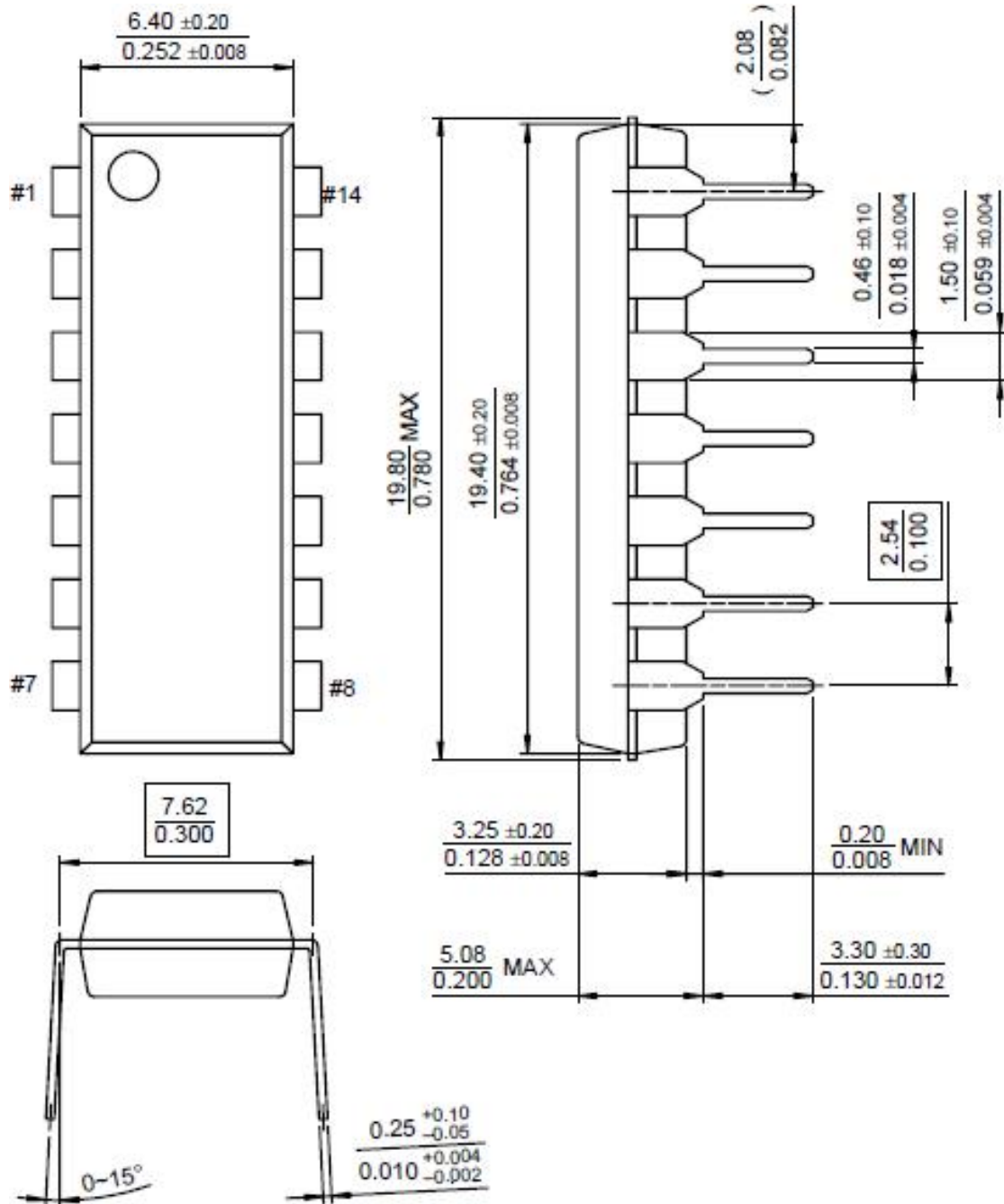
Note:

1. See Testing Table refers to the corresponding test items in the switch characteristic table.
2. the CL capacitor is an external patch capacitor (0603), which is connected to the output pin and the capacitor is near the chip GND.
3. Input: port input level,  $f=500\text{kHz}$ ,  $D=50\%$ ,  $t_{TLH}=t_{THL}$  or less 20ns;
4. Output: Y output test port (Out of Phase Output, In Phase Output)

■ Package Dimensions

Unit : mm / inch

DIP14



SOP14

